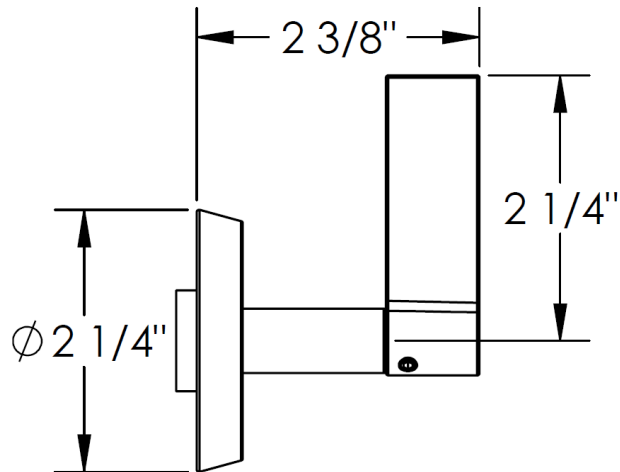
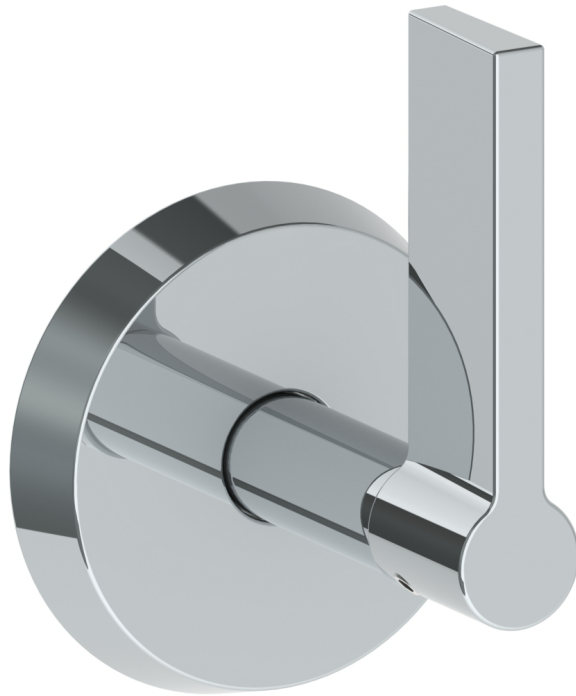


37-WTR-BL2
Wall Valve Trim Kit



Meets the applicable requirements of ASME A112.18.1-2005/CSA B125.1-05, entitled "Plumbing Supply Fittings"

37-WTR-BL3

Wall Mounted Trim with Alignment Kit

For use with SS-TS200-C, SS-TS200-H, SS-TS150-C, SS-TS150-H,
SS-WD2, SS-WD3, SS-VCWD2 or SS-VCWD3 roughs

